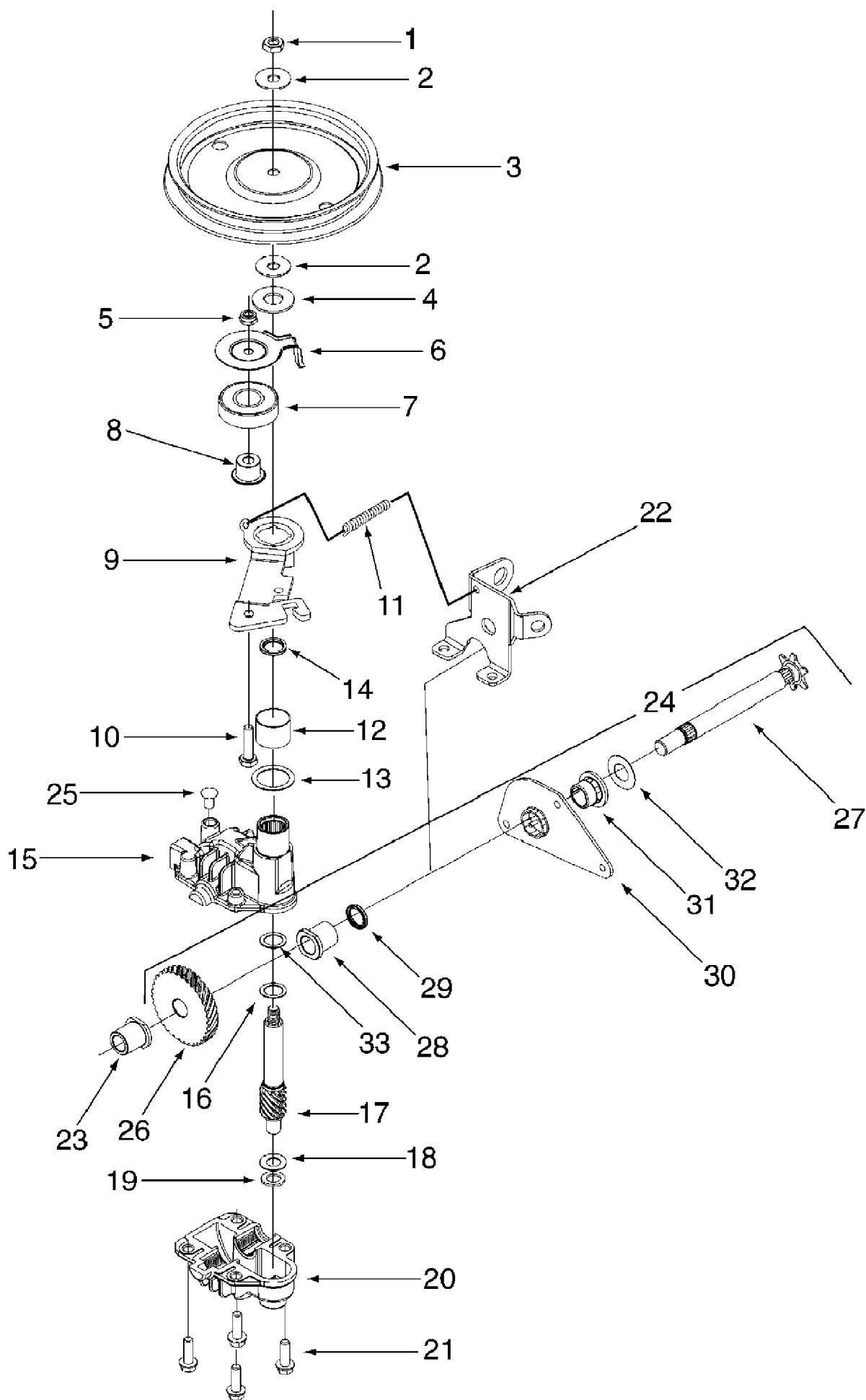


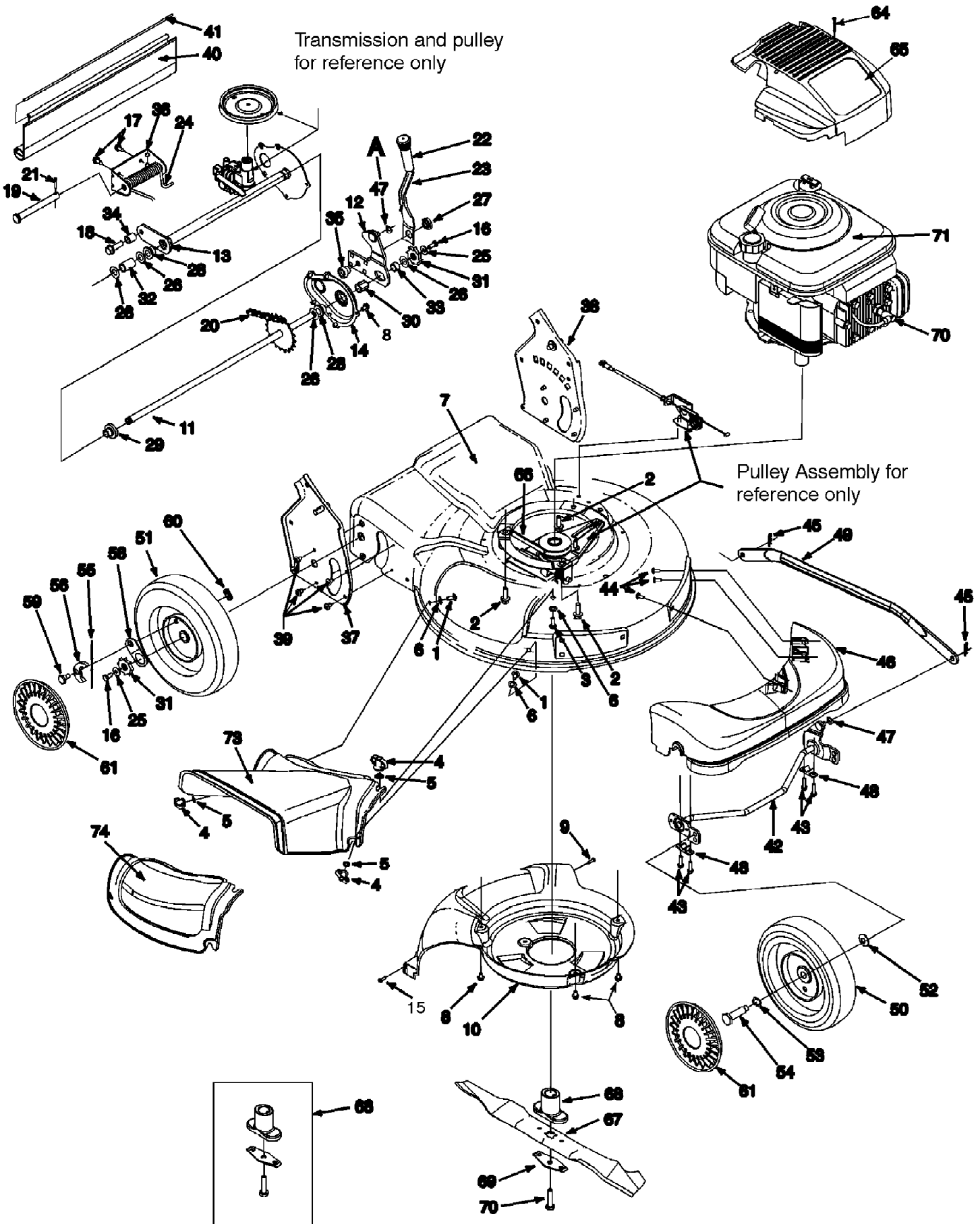
12A-9591190 LC-210 (1999)  
Drive



12A-9591190 LC-210 (1999)  
Drive

Page 2 of 7

Ref #	Part Number	Qty	S/P/F	Description
1	712-3025	1		Hx. Jam Nut 5/16-24
2	736-0425	1	S	Bell Wash. .325 x .930 x .045
3	756-0656	1	/P	Pulley
4	736-3084	1	/P	Fl. Wash. .510 x 1.120 x .060
5	712-0896	1		Hx. Jam Nut 1/4-28
6	782-7598	1		Belt Keeper
7	741-0600	1	S	Bearing
8	750-1050	1		Flange Spacer
9	682-0027A	1	S	Idler Bracket Assembly
10	710-0299	1		Hx. Cap Scr. 1/4-28 x 1.00 Gr. 5
11	732-0849A	1	S	Extension Spring
12	741-0682A	1	/P	Bearing Sleeve
13	736-0570	1	S	Fl. Wash. .885 x 1.145 x .030
14	721-0329	1	S	Oil Seal
15	618-0253	1		Upper Housing Assembly
16	736-0616	1	S	Thrust Wash. .504 x .700 x .030
17	717-1487	1	S	Pinion Shaft 10 T.
18	736-0314	1	S	Thr. Wash. 3/8 x .70 x .030
19	736-0569	1	S	Thr. Wash. .388 x .625 x .062
20	618-0252	1	S	Lower Housing Assembly
21	710-0642	1	/P	Hx. Scr. 1/2-20 x .75
22	782-7601A	1	S	Cable Bracket
23	741-0674	1	S	Bearing
24	611-0066	1	S	Shaft Assembly
25	721-0325	1		Plug
26	717-1469	1		Gear 34 T.
27	711-1168	1		Output Shaft 6 T.
28	741-0672	1		Flange Bearing
29	721-0329	1	S	Oil Seal
30	782-7595	1		Pivot Bracket
31	741-0324	1	S	Flange Bearing
32	736-0369	1	S	Wash. Fl. .508 I.D. x 1.00 O.D. x .020
33	741-0690	1		Bearing Code: N notates a new part (not previously existing).



12A-9591190 LC-210 (1999)  
General Assembly

Page 4 of 7

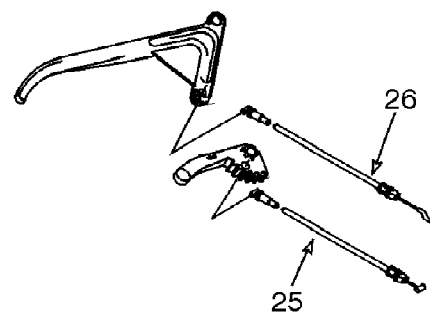
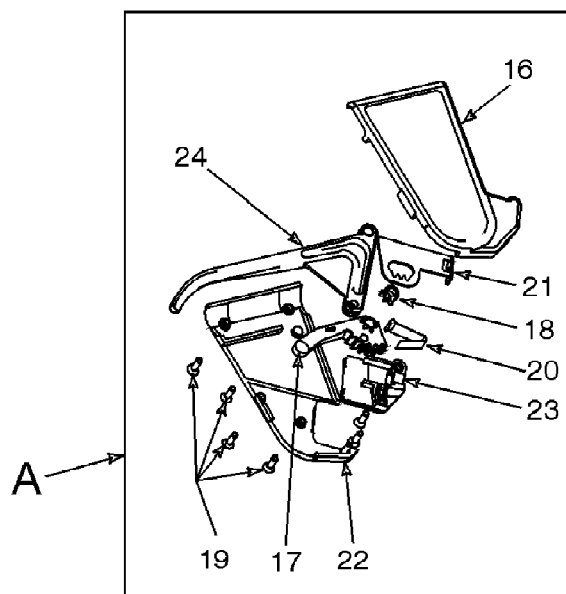
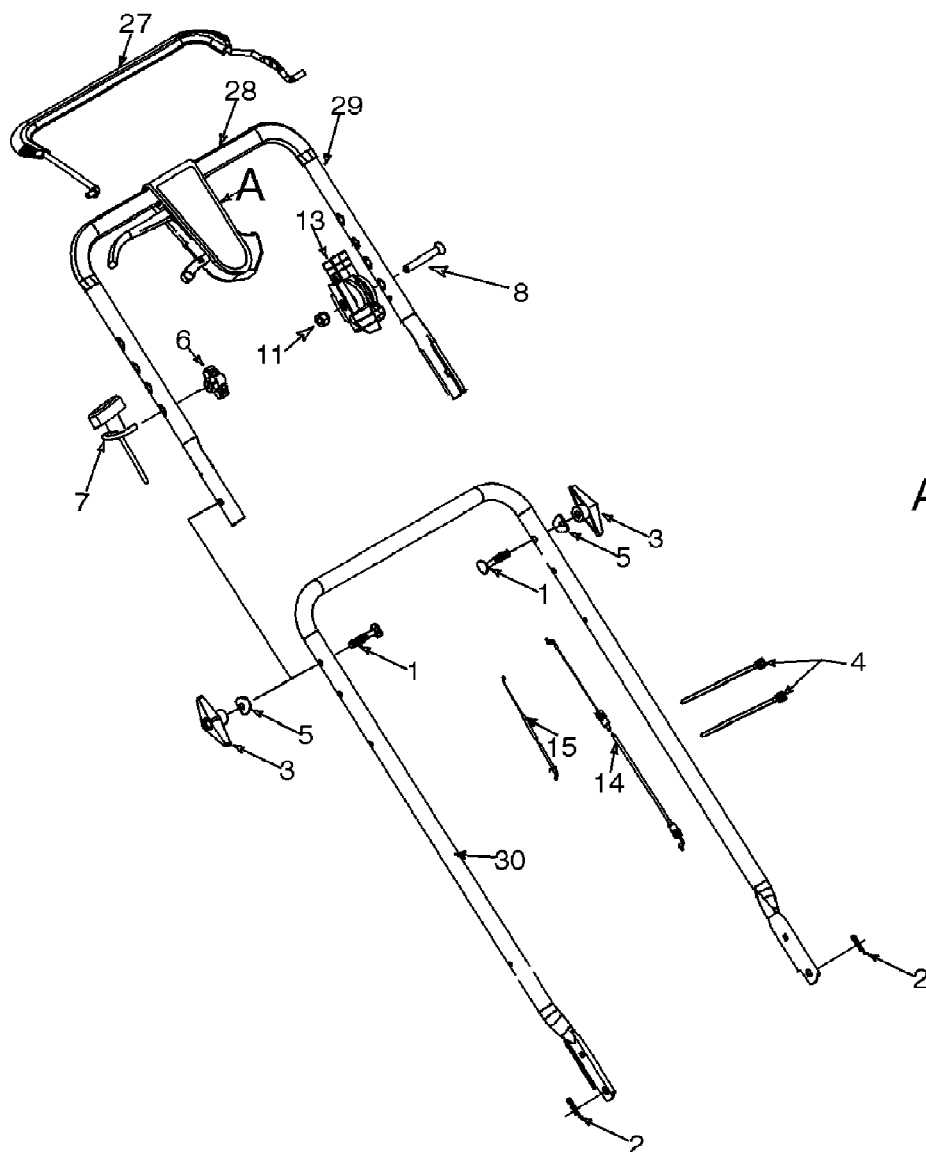
Ref #	Part Number	Qty	S/P/F	Description
1	710-0134	1	/P	Scr. Carr. 1/4-20 x .62
2	710-0654A	1	/P	Scr. TT:3/8-18:1.00
3	710-0703	1	/P	Scr. 1/4-20 x .750
4	712-0397	1	S	Wing Nut 1/4-20
5	726-0233	1	/P	Nut, Push .25 I.D. x .50 O.D.
6	736-0204	1	/P	Wash. Fl. .334 I.D. x .62 x .03
7	782-0046A-0662	1		Deck - 21" Code: N notates a new part (not previously existing).
8	710-0653	1	/P	Scr. TT. 1/4-20 x .375
9		1		UNKNOWN
10	731-1828	1		Baffle
11	638-0012	1	S	Rear Axle Ass'y
12	682-0531	1	S	Pivot Arm Ass'y
13	682-7526	1	S	Trans. Axle Ass'y
14	682-7528	1	S	Chain Cover Ass'y
15	710-0969	1	/P	Scr., Truss Machine TT 1.0"
16	710-0751	1	/P	Cap Screw HH 1/4-20 x .620
17	710-1652	1	/P	Scr., AB 1/4-14 x .825
18	710-1315	1	/P	Scr., 3/8 116 x .25
19	711-0835	1	S	Clevis Pin .50 Dia. x 4.82 Lg.
20	713-0453	1	S	Chain-Endls. #48 .500P x 24L
21	714-0474	1	S	Cotter Pin .125 O.D. x .75
22	720-0223	1		Grip
23	732-0803A	1	/P	Spring Lever
24	732-0832	1		Torsion Spring
25	736-0270	1	/P	Bell Wash. .285 x .75 x .082
26	736-0369	1	S	Fl. Wash. .508 I.D. 1.000 x .020
27	738-0529	1	S	Nut Shld. .825 Dia. x .165 Lg.
28	741-0324	1	S	Hx.Flg. Brg. .506 I.D. x .590 L.
29	741-0522	1	S	Hx.Flg. Brg. .506 I.D. x .715 L.
30	741-0978	1		Hx. Slv. Brg. .504 I.D. x .830 L.
31	748-0318	1	S	Wheel Ratchet
32	750-0151	1	S	Spa. .550 I.D. x .750 O.D.
33	750-0515	1		Spa. .51 .D. x .70 O.D. x 38 L.
34	750-0807	1		Spa. .385 x .624 x .700
35	750-1056	1	S	Shld. Spa. .385 I.D. X .715 Lg.
36	782-0568	1	S	Brkt. - Ht. Adj. Spring
37	682-3052-0662	1		Handle Brkt. Assembly R.H.
38	682-3053-0662	1	S	Handle Brkt. Assembly L.H.
39	710-1348	1	/P	Scr. AB 1/4-14 x .500
40	731-1901	1	S	Trail Shield
41	732-0842	1		Trail Shield Wire
42	611-0064-0662	1		Fr. Axle Ass'y.
43	710-1241	1		Hx Scr. Wash Hd. Hi.-Lo.
44	710-1242	1	/P	Scr. Torx, Truss Hi.-Lo.
45	714-0104	1	S	Cotter Pin .072 x 1.12 Lg.
46	731-1834	1		Fr. Axle Cover
47	736-0286	1	S	Bowed Washer
48	741-0492A	1	/P	Bush. Block .505 Dia. x .62
49	782-0565-0662	1		Control Arm
50	734-1978	1	/P	Wheel 8 x 2 Link Gray
51	734-1981	1	S	Wheel 9 x 2 Link Gray, Sleeve

12A-9591190 LC-210 (1999)  
General Assembly

Page 5 of 7

Ref #	Part Number	Qty	S/P/F	Description
52	736-0105	1	/P	Spr. Wash. .401 x .870 x .063
53	736-0504	1	S	Wave Wash .510 x .750 x .017
54	738-0102	1	S	Shldr Scr .498 x 1.445 x 3/8-16
55	10622B	1	S	Spring, Ratchet, Plastic
56	748-0381	1		Pawl - R.H.
?57	748-0188B	1	S	Pawl - L.H. (Not illustrated)
58	16855	1		Ratchet Pawl Plate
59	738-0137A	1	S	Hubcap - Gray
60	712-0414	1	S	Top Lock Tab Weld Nut 1/4-20
	731-0981A	1	S	Hubcap - Gray
61		1		UNKNOWN
64	710-1164	1	/P	Scr. Hi-Lo #10 x 1.25
65	751B281883	1		Shroud - Gray
66	754-0460	1	S	Belt
67	742-0741	1	S	21" Mulching Blade
68	753-0609	1		Blade Adapter Kit
69	736-0524A	1	S	Blade Bell Support
70	710-1257	1	/P	Hex Bolt 3/8-24x2.5" Lg.
71		1		Engine
?72	735-0639	1	/P	Spark Plug Insulator
73	731-1832	1		Side Discharge Chute
74	731-1833	1	S	Mulch Cover
?75	710-0604	1	S	Scr. Hex. 5/15-18
?76	725-0157	1	/P	Cable Tie

12A-9591190 LC-210 (1999)  
Handle



12A-9591190 LC-210 (1999)  
Handle

Page 7 of 7

Ref #	Part Number	Qty	S/P/F	Description
1	710-1174	1	/P	Bolt Curv. Carr. 5/16-18 x 2.0
2	714-0104	1	S	Cotter Pin .072 x 1.12 Lg.
3	720-0241	1	S	Knob Assembly
4	726-0240	1	S	Strap
5	736-0451	1	S	Wash. Sad. .320 ID x .830 OD
6	720-0279	1	/P	Knob Handle ERS - 1/4-20
7	710-1205	1	/P	Rope Guide Eyebolt
8	710-1270	1		Oval C-Sunk Screw
11	712-0324	1	/P	Nut 1/4-20 Top lock Nut Insert
13	746-0883	1		Control Housing
14	746-0912	1	S	Control Cable 44" Lg.
15		1		UNKNOWN
16	731-0904A	1	S	Upper Control Housing
17	731-0924	1		6 Speed Shift Lever
18	713-0397	1	S	Gear Insert
19	710-1667	1	S	CSunk Tap Scr #10 x .75 L
20	732-0627	1		Shift Lever Spring
21	16864	1		6 Spd. Rack Cable Brkt.
22	731-0905A	1	S	Lower Control Housing
23	731-0906	1	S	Cable Mounting Cap
24	731-0620	1	S	Control Lever
25	746-0939	1	S	6 Spd. Cable
26	746-0713	1	S	S.P. Cable
27	647-0004	1		Control Handle
28	720-0294	1	/P	Foam Grip (2 Req'd.)
29	749-0439B	1	S	Upper Handle
30	749-0907A	1	S	Lower Handle